

**KBT**

617~960/1710~2700/3300-3800/4900-6000MHz 3.5/4/5/5dBi Omnidirectional ceiling antenna

TQJ-0660XDZ-M

Application

Used in 2G/3G/4G/5G/WLAN system

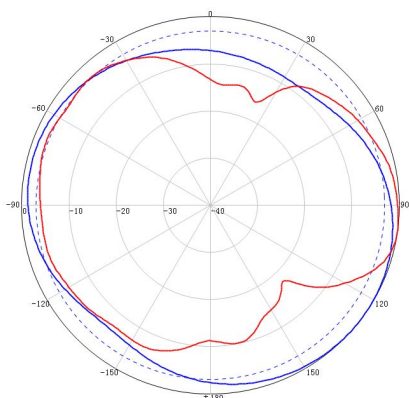
Electrical specifications

Frequency range (MHz)	617~960	1710~2700	3300~3800	4900-6000
Polarization	Vertical			
Gain (dBi)	3.5	4	5	5
Horizontal beam width (°)	360			
Typical Vertical beam width (°)	90	65	50	40
Impedance (Ω)	50			
VSWR	≤2.0	≤1.8		
Intermodulation IM3 (2×43dBm carrier)	≤-150 dBc			
Maximum power (W)	50			
Lighting protection	DC Ground			

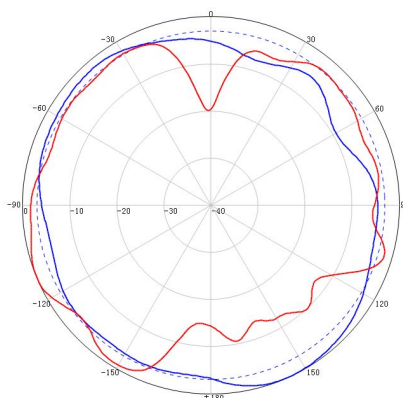
Mechanical specifications

Connector	4.3-10 Female
Exposed cable size (cm)	30(or customer requirement)
Connector position	Bottom
Antenna size (mm)	Φ207*56
Packing size (mm)	213*168*204
Weight (kg)	0.6
Radome material	ABS
Radome color	White
Operating temperature (°C)	-40~60
Application	Indoor
Mounting	Fixed with nut

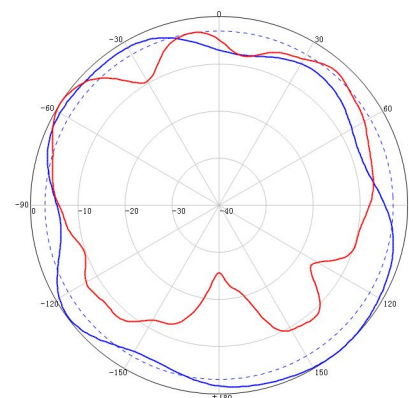
617~960MHz Typical pattern:



1710~2700MHz Typical pattern:



3300~6000MHz Typical pattern:



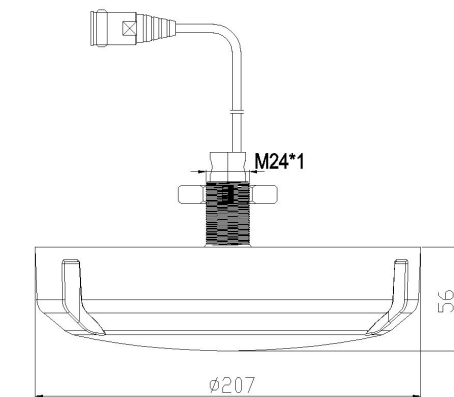


617~960/1710~2700/3300-3800/4900-6000MHz
3.5/4/5/5dBi Omnidirectional ceiling antenna

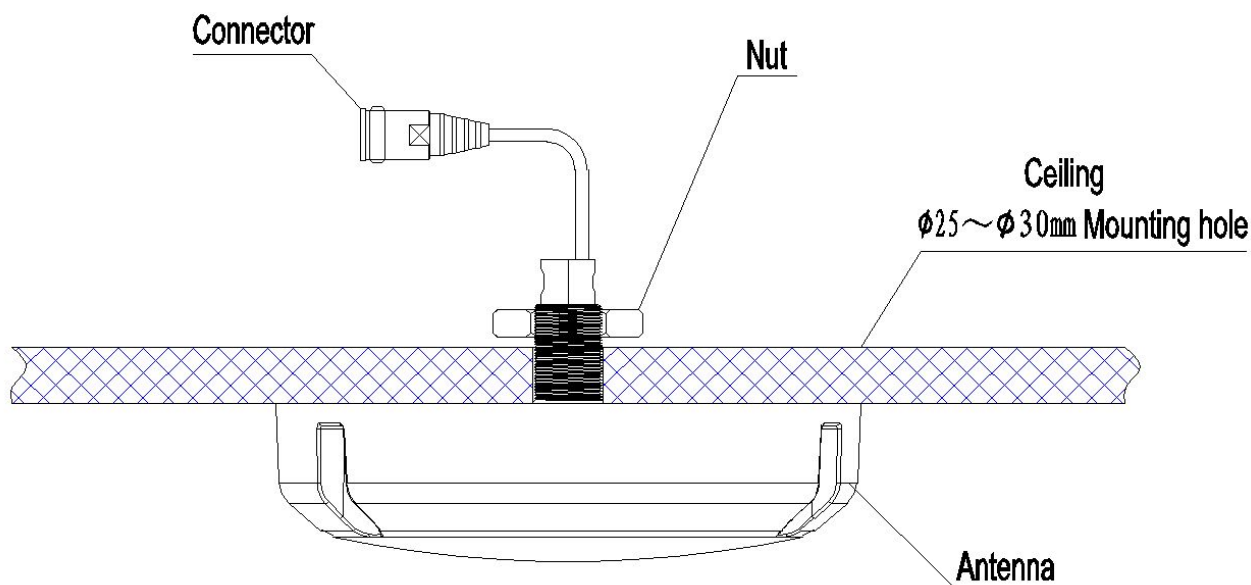
Product pictures



Product size



Installation Sketch



1. Drill a $\Phi 25$ - $\Phi 30$ hole on the ceiling.
2. Install the antenna as the following picture shows then tighten the bolts.
3. Connect the RF jumper to antenna connector.

Attention!

The antenna please not to install on the big area metals, in order to prevent influence antenna result.